

Tondo

*Halogen Banana Spot

Round

*Compatible with most MR16 LED Bulbs

Cutout Size  Ø 97mm



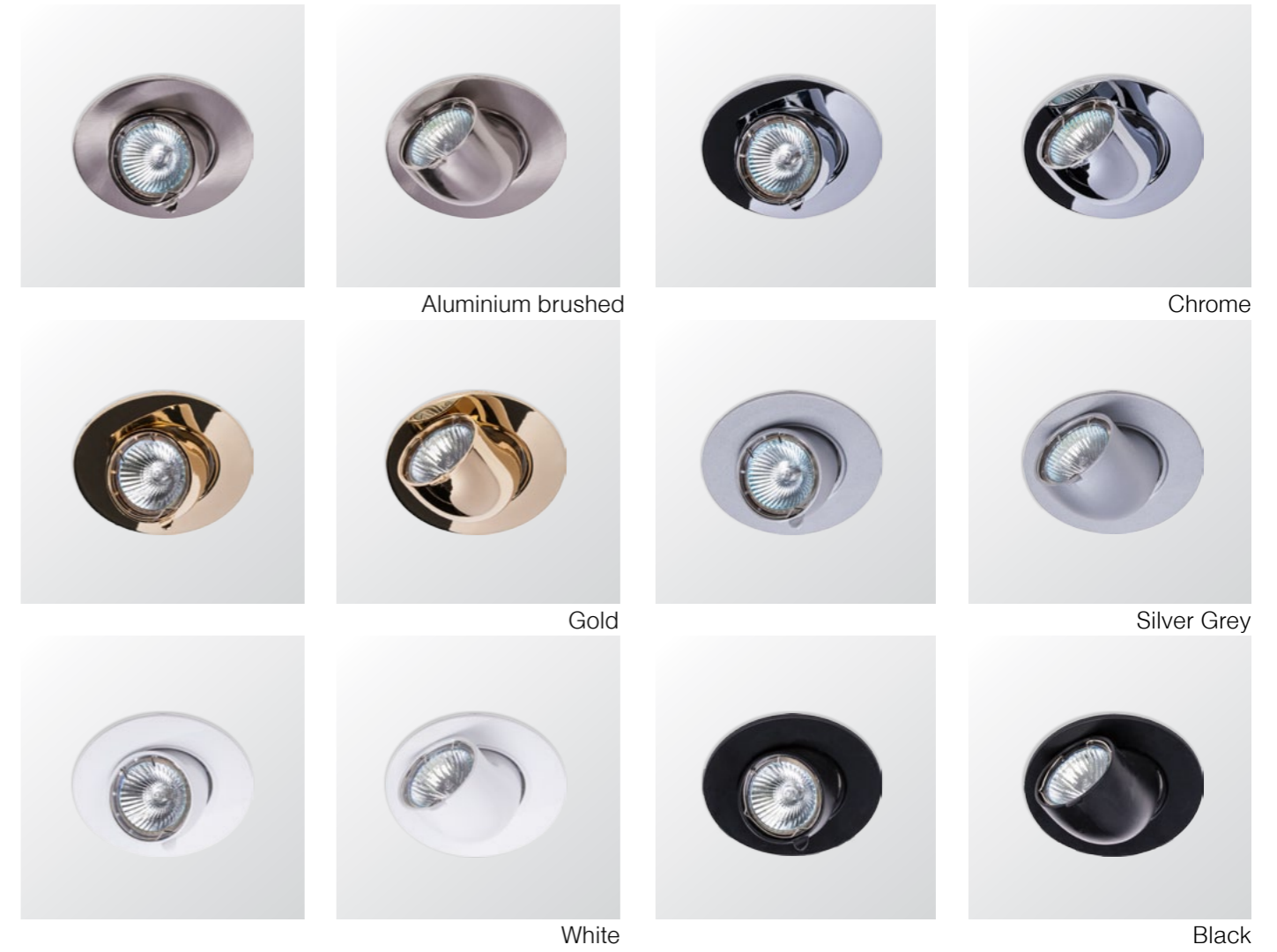
12V Voltage
Max. 50W Power
MR16 Lamp Type



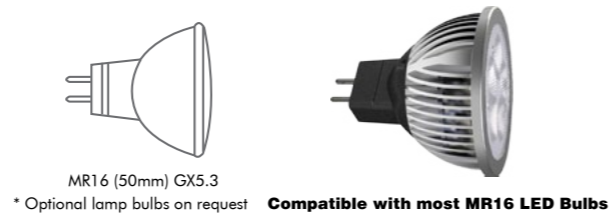


IP 20

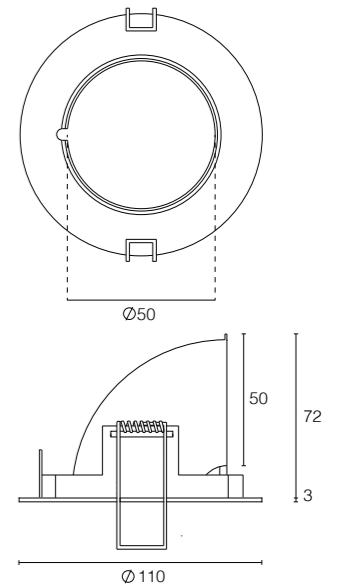


Product Information	Power	Maximum 50W
	Input Voltage	12V
	Lamp Holder	GX5.3 (included)
	Lamp Type	MR16 (not included)
	Electronic Transformer	not included



* Photometric information is determined by different lamp bulbs chosen.



Cutout Size  Ø 97mm

Accessories	Inclusive			Exclusive (On Request)	
	NO.	Description	Quantity	Article No.	Description
	1.	GX5.3 lamp holder	1	see page 359	MR16 lamp bulbs (halogen/LED)

Article Number	Product Name	Color Material	Lamp Type	Input Voltage	Power	Cutout Size
2.11.0292	Halogen Banana spot Tondo	Chrome	MR16 (50mm)	12V	Max. 50W	Ø 97mm
2.11.0293	Halogen Banana spot Tondo	Aluminium	MR16 (50mm)	12V	Max. 50W	Ø 97mm
2.11.0294	Halogen Banana spot Tondo	Gold	MR16 (50mm)	12V	Max. 50W	Ø 97mm
2.11.0295	Halogen Banana spot Tondo	Silver Grey	MR16 (50mm)	12V	Max. 50W	Ø 97mm
2.11.0296	Halogen Banana spot Tondo	White	MR16 (50mm)	12V	Max. 50W	Ø 97mm
2.11.0297	Halogen Banana spot Tondo	Black	MR16 (50mm)	12V	Max. 50W	Ø 97mm